

HD IR Vandal Dome Camera

1080P

DTC-2030DVIHD

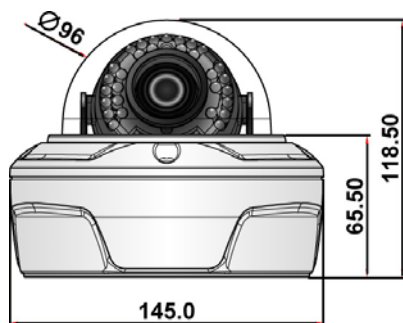
◆ Picture



◆ Feature

- 1/2.9" Sony PS **Exmor** CMOS
- 2Megapixel TVI format
- Day/Night with ICR
- Min 0.0008Lux with Sens-Up (32x), LED On:0Lux
- WDR(15fps), 3DNR, Defog, OSD
- Motion Detection (5), Privacy Masking (16)
- Multi Languages (English/Chinese/Korea/Japanese)
- 2.8~12mm DC Iris Mega Lens
- Built-In High Effective IR 30 EA (Visible Distance: 30M)
- Weather-proof, 3Axis
- Optional: Dual Voltage, Dual Voltage+Heater

◆ Dimensions



Unit: mm

◆ Specifications

MODEL	DTC-2030DVIHD
Video	
Image Sensor	1/2.9" 2.1Mega(1080p) PS-Sony CMOS
Scan mode	Progressive Scan
Total number of pixels	1945(H) x 1109(V)
Number of active pixels	1945(H) x 1097 (V)
Resolution	1080P
Minimum illumination	Color:0.03Lux, 0.0008Lux with Sense-up(32x), LED On:0Lux
Video Output	TVI
S/N Ratio	More than 50dB (AGC Off)
Lens	
Lens	2.8 ~ 12mm MP Varifocal Lens H:97.5°(W)-31.1°(T),V:54.4°(W)-17.6°(T),D:115.6°(W)-35.7°(T)
Iris	DC Auto Iris
Function	
Day & Night	Auto / Color / BW / EXT
White Balance	ATW/MANUAL/AUTO ext/PRESET
AGC	Level (0~10)
DNR	Off / Low / Middle / High
Mirror / Flip	Off / On
Privacy Zone / Motion	16 Zones / 5 Zones
Brightness	Level (1~20)
Shutter	Auto/Manual(1/30/25~1/30000)/FLICKER
Back light	HLC/WDR(120dB)/BLC
Defog	On/Off
IR LED	
LEDs	30 LEDs (850nm)
Visible Distance	30m
Environment	
Operating Humidity	30 % ~ 90 % RH
Operating Temp.	-30°C~60°C(-22°F~140°F)
Electrical	
Power Consumption	Max 6W
Power Supply	DC12V±10%, Dual Type: AC24/DC12V(Optional)
Mechanical	
Construction	Aluminum body ,PC bubble
Dimension	145.0(W)mm x 118.5(H) mm x φ96(Bubble)
Weight	About 1.1Kg
Certificate	
	CE, FCC, IK10, IP66